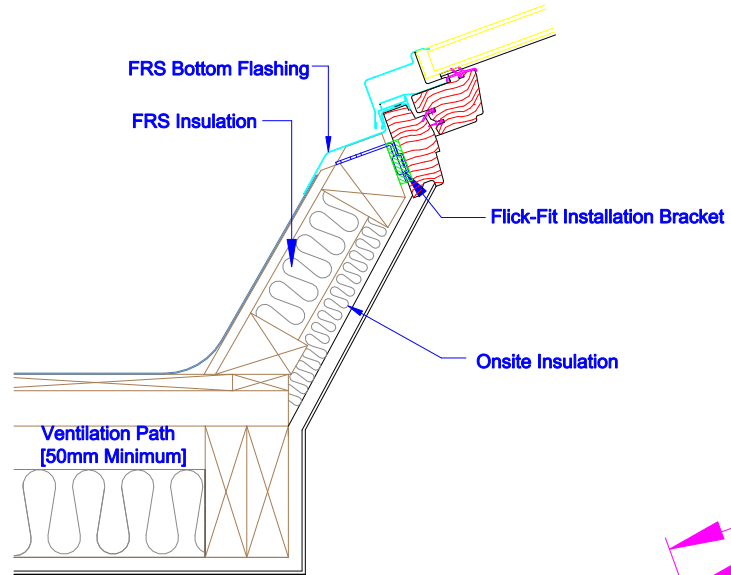
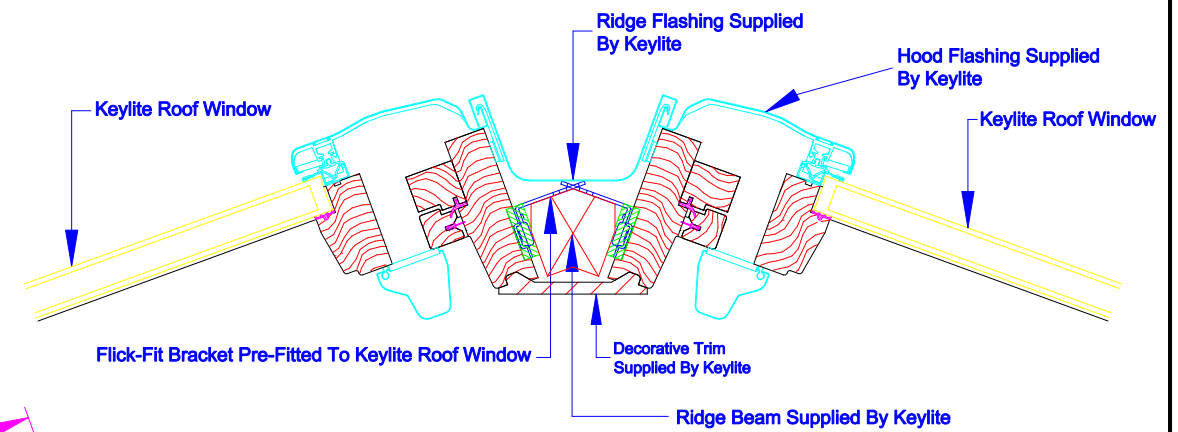


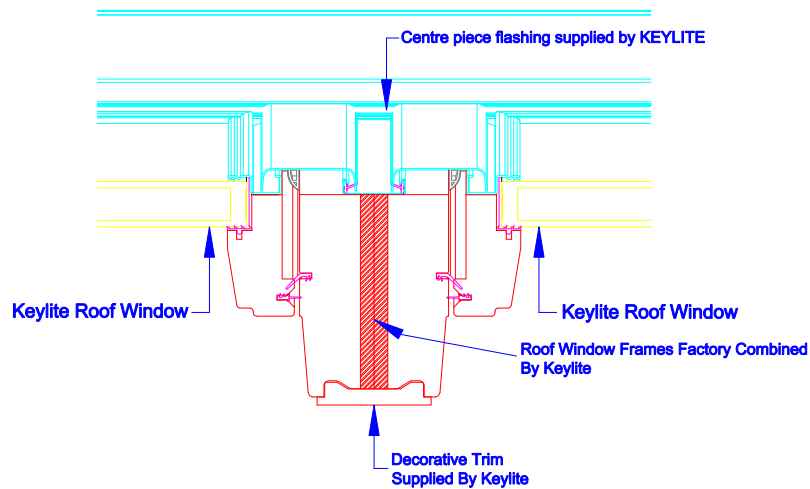
FRX SIDE DETAIL



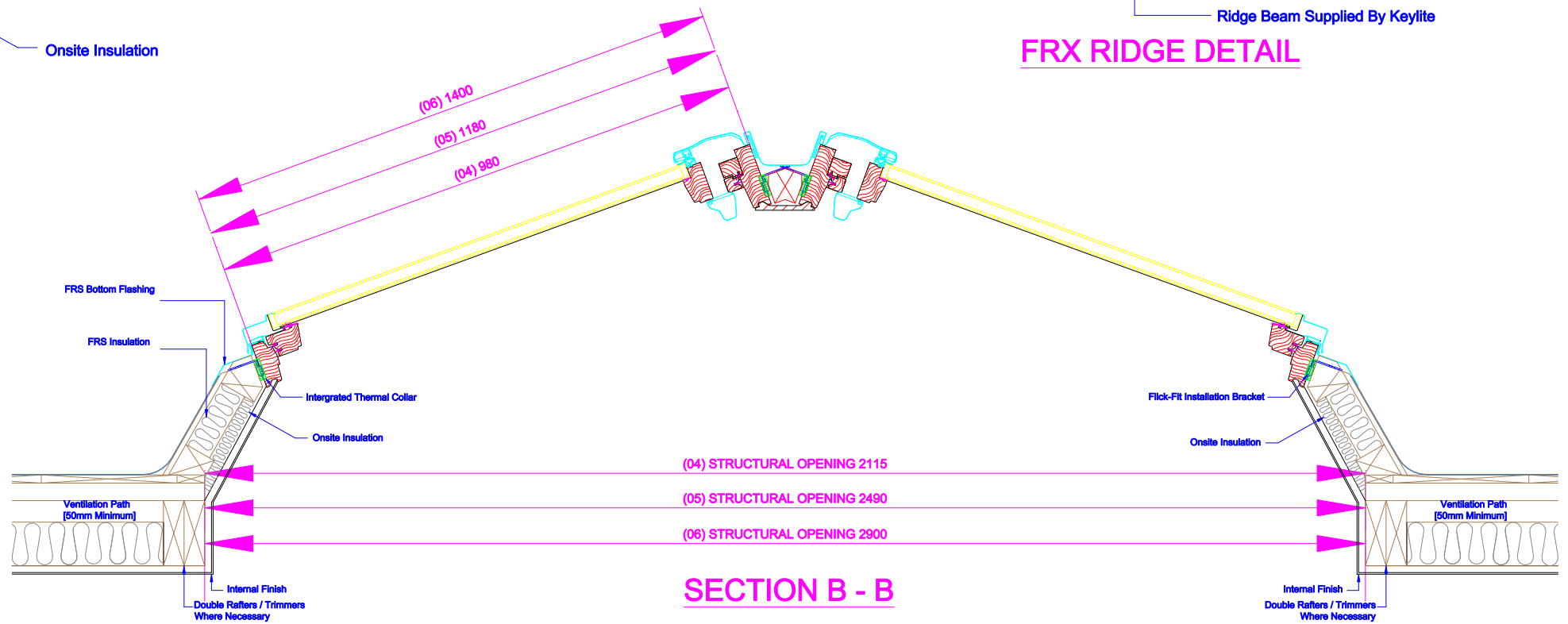
FRX BOTTOM DETAIL



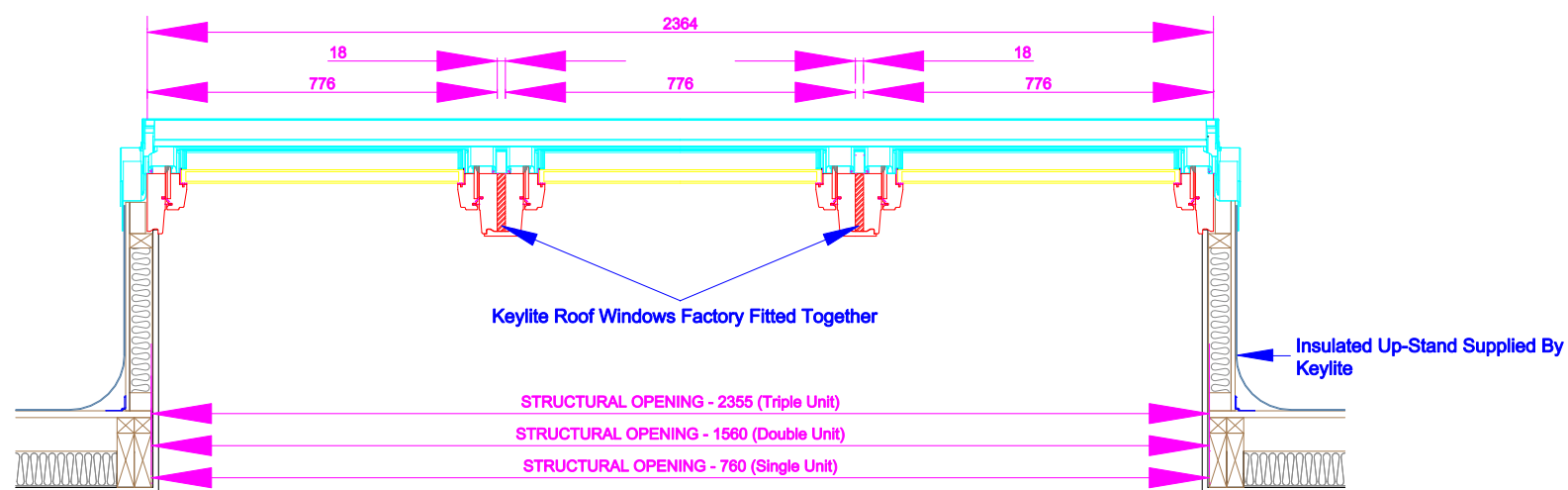
FRX RIDGE DETAIL



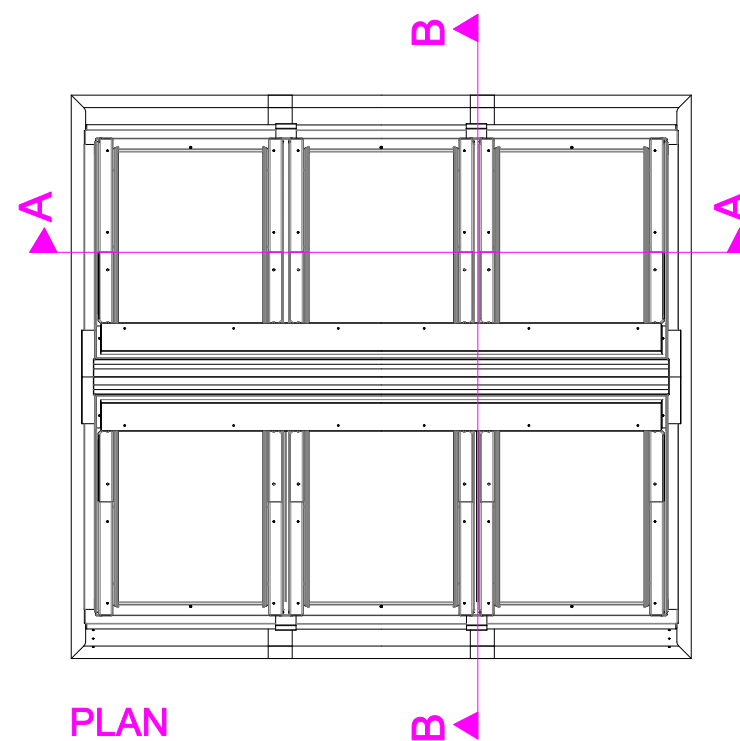
FRX ROOF WINDOW JOINT DETAIL



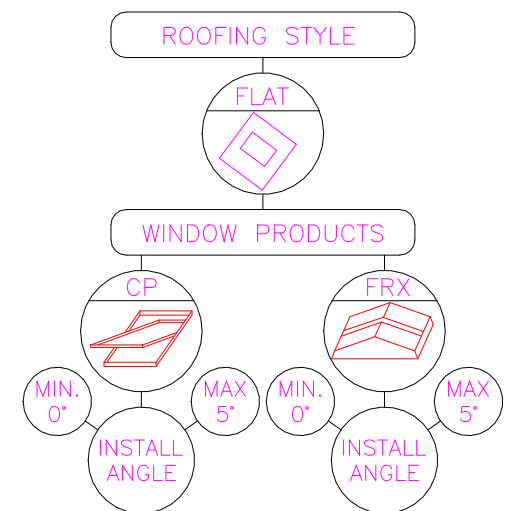
SECTION B - B



SECTION A - A



PLAN



**keylite**  
 Futuretherm Technology  
 Date: 01/08/2014  
 DWG No. CP-FRX-01