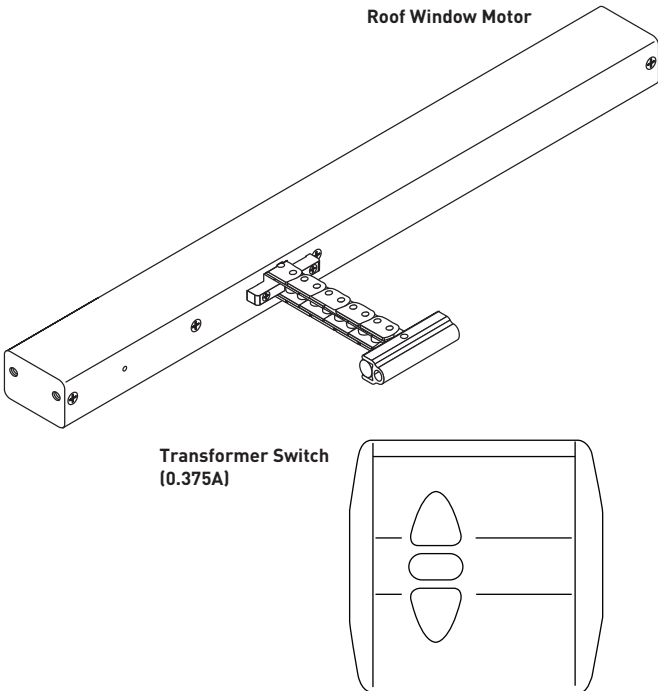




Standard Electric Motor Kit for 1 Keylite Roof Window

SEK1W



Roof Window Motor

Transformer Switch (0.375A)

Contents:

- 1 No. Roof Window Motor
- 1 No. 4 core cable with motor connectors attached
- 1 No. Transformer switch (0.375A)
- 1 No. Switch Back box - white
- 1 No. Large Motor Fixing Bracket
- 1 No. Keybag Each bag includes the following:
 - 1 No. Bracket Pin
 - 2 No. Screw type Bearings
 - 1 No. Cotter Pin
 - 1 No. Chain Drive Bracket
 - 1 No. Screw for KEYCHAIN Bracket
 - 1 No. Dome Nut
 - 4 No. Screws for KEYMOT Bracket
- 1 No. Motor Safety sticker

SEK1W Standard Electric Motor Kit for 1 Keylite Roof Window

(Use instructions in conjunction with the wiring diagram attached)

The Roof Window motor and the Transformer Switch are to be all wired together as shown on the wiring diagram.

Please ensure the yellow and green motor wires are not connected!

Please ensure the plug-in connector is fully "clicked" into the motor.

The switch will power the motor fully open/closed by depressing the button up/down. The motor can be stopped at any point by returning the switch to the centre position.

We recommend that the switch be returned to the centre position every time after operating to ensure no burn-out/overload.

SAFETY PRECAUTIONS:

Please ensure the following precautions when working/operating with any of the products:

1. Disconnect the main supply before carrying out any work.
2. Ensure no forces act on the switch terminals after installation.
3. There is a danger to life and risk of injury with electrically operated windows! The window motor stops by an electronic limit stop or overload cut-off. The resulting forces are strong enough to crush body parts.
Please attach the safety sticker to be clearly visible on the frame of the roof window.
Please ensure that occupants are aware that the window can be closed automatically or by a remote switch.
4. **We recommend only a suitably qualified electrician should install and connect all electrical devices.**

SEK1W Standard Electric Motor Kit for 1 Keylite Roof Window

24v DC
DO NOT CONNECT INTO MAINS SUPPLY

